

ISSUE DATE

MAY 28, 2024

REVISION DATE

REVISION	DATE

HVAC REPLACEMENT
JS CLARK MAGNET SCHOOL
 MONROE CITY INDEPENDENT SCHOOL DISTRICT
 MONROE CITY, LA

EMA JOB #: 5-001-1972-003

DRAWN BY: DAH

CHECKED: DRA

SITE PLAN

SHEET NUMBER

C1.0



Know what's below.
Call before you dig.

UNDERGROUND UTILITIES NOTE:

CONTRACTOR SHALL VERIFY LOCATIONS OF ALL PROJECT RELATED UTILITIES, BURIED AND ABOVE GROUND, REGARDLESS OF INCLUSION ON THESE PLANS. THE LOCATIONS OF ANY EXISTING UTILITIES SHOWN ARE APPROXIMATE ONLY. THE CONTRACTOR SHALL BE RESPONSIBLE FOR DETERMINING THE EXACT LOCATION OF ALL EXISTING UTILITIES BEFORE COMMENCING WORK. ALL CONTRACTOR DAMAGED UTILITIES SHALL BE REPAIRED AT THE CONTRACTOR'S EXPENSE.

SITE PLAN
 Scale 1" = 20'



ISSUE DATE

MAY 28, 2024

REVISION	DATE

HVAC REPLACEMENT
JS CLARK MAGNET SCHOOL
 MONROE CITY INDEPENDENT SCHOOL DISTRICT
 MONROE CITY, LA

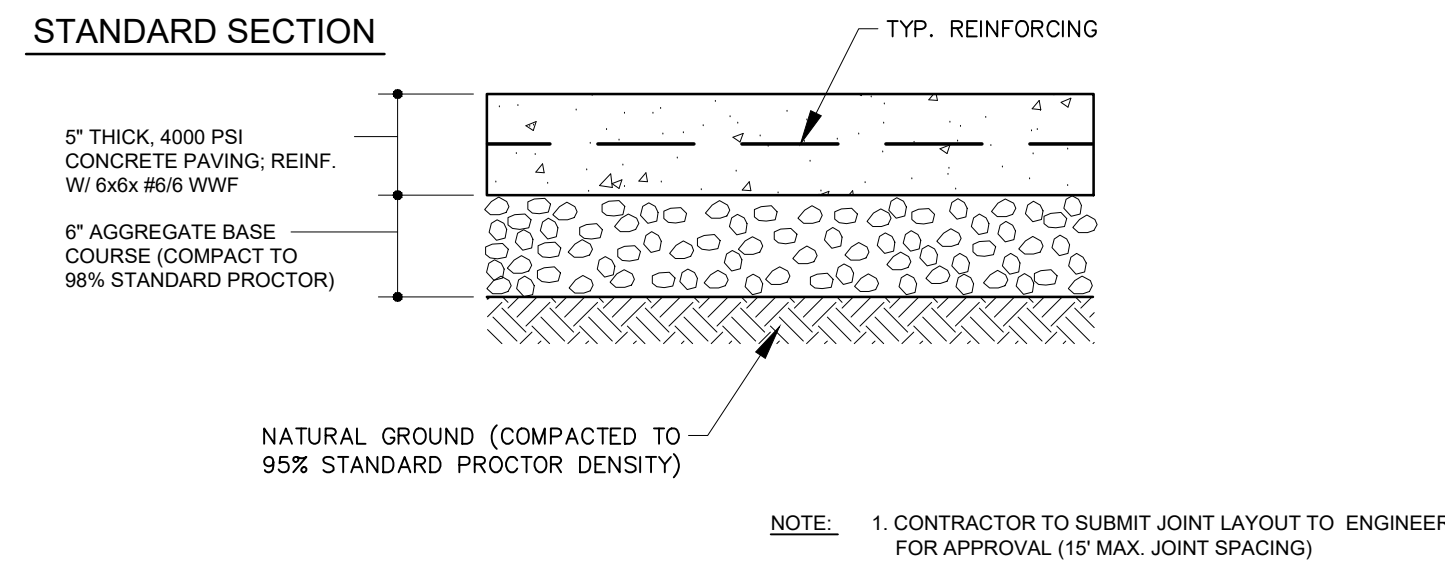
EMA JOB #: 5-001-1972-003

DRAWN BY: DAH

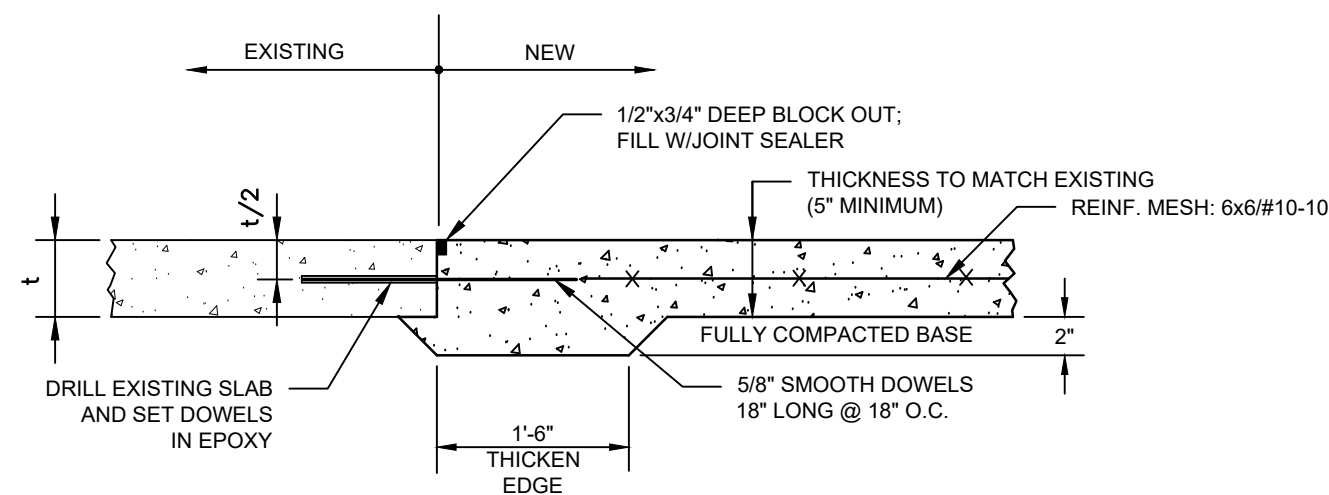
CHECKED: DRA

SHEET NUMBER

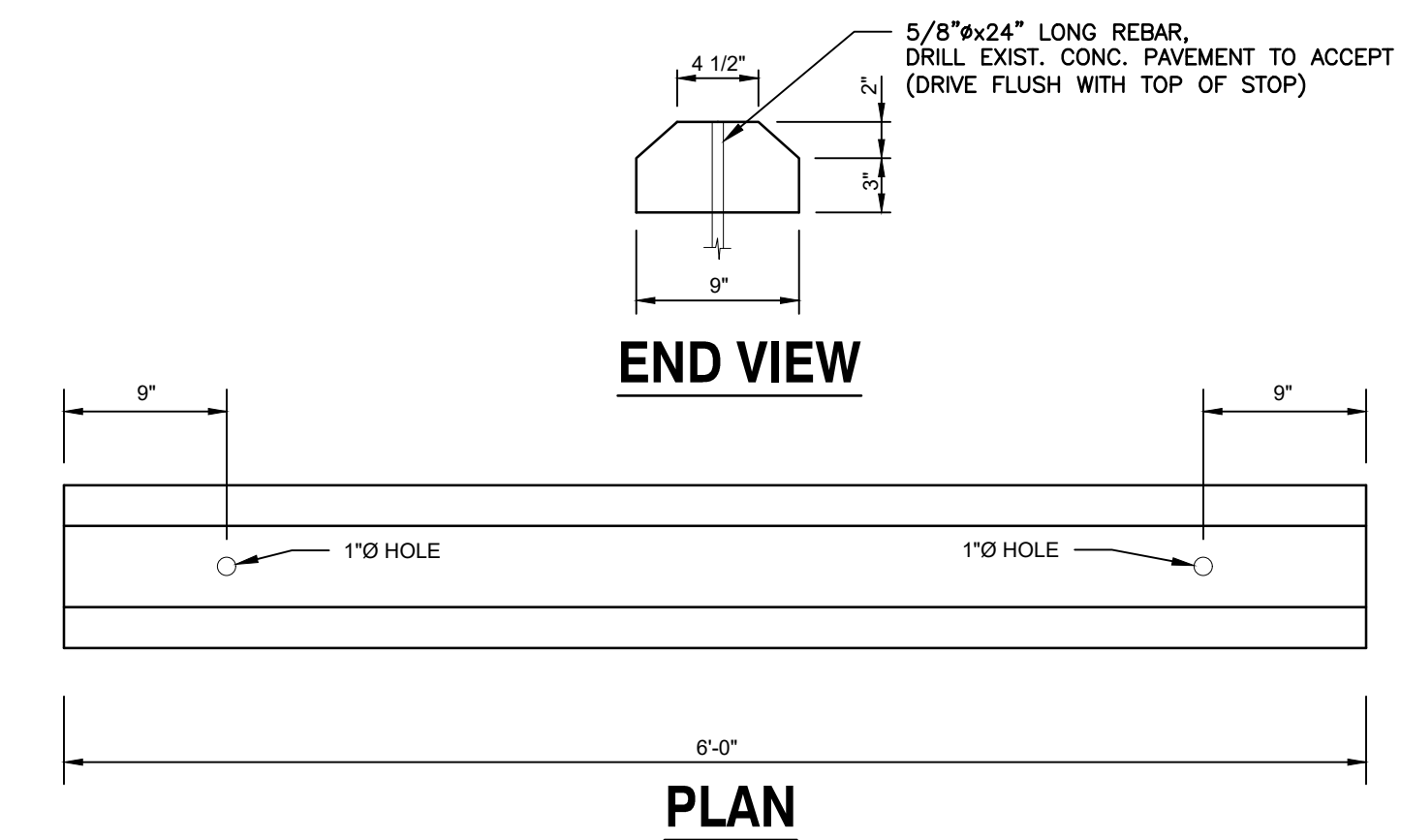
C2.0



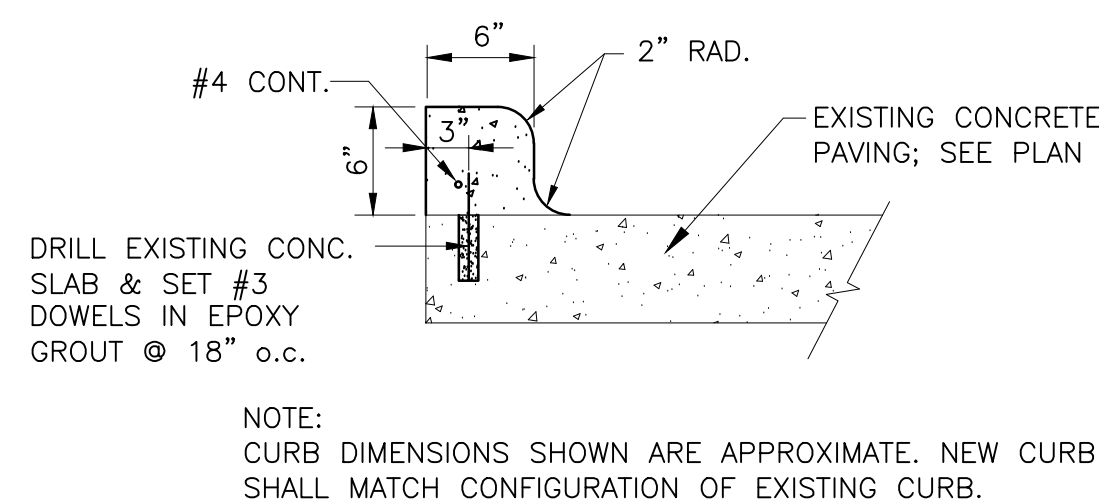
1 CONCRETE PAVING SECTION
SCALE: NONE



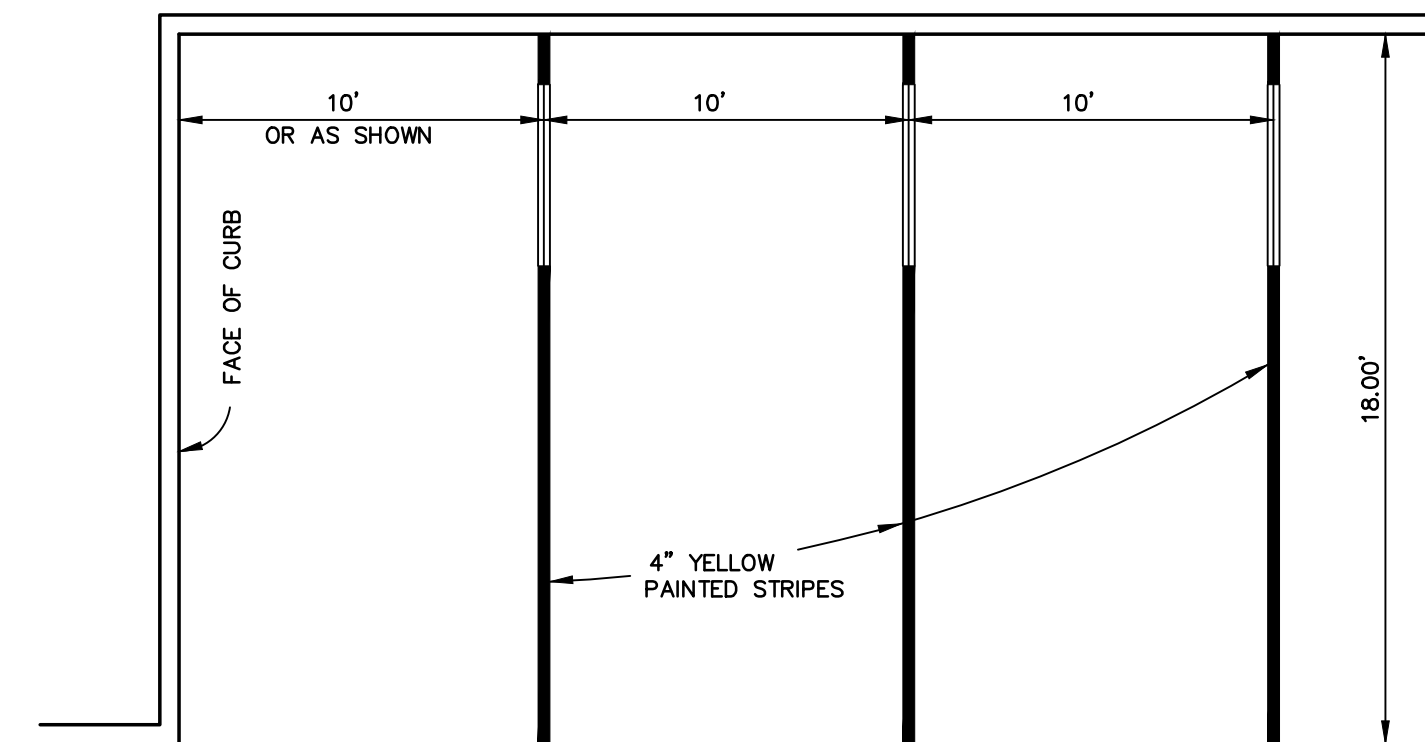
2 DETAIL NEW CONCRETE PAVEMENT TO EXISTING CONCRETE PAVEMENT
SCALE: NONE



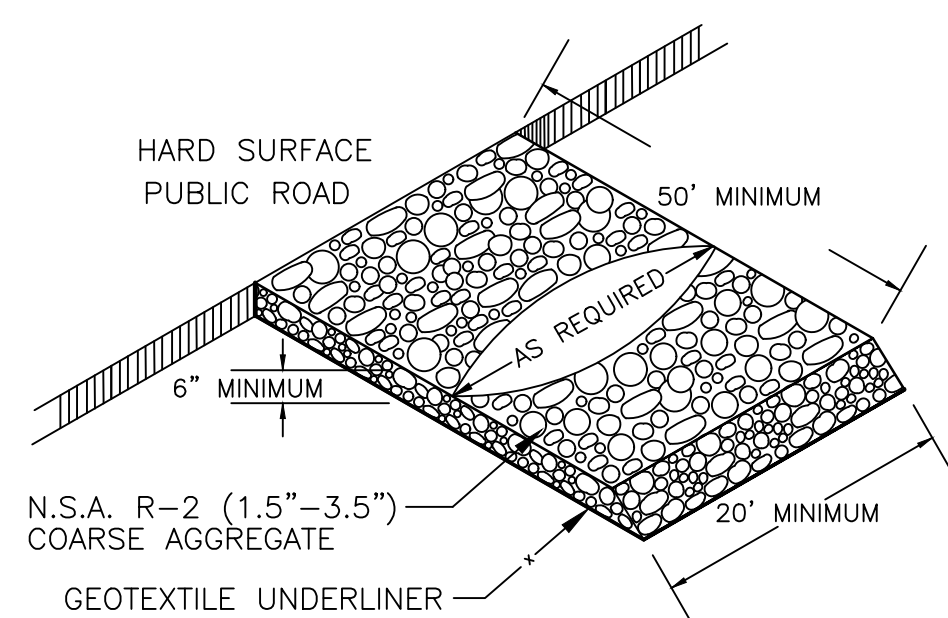
3 REINFORCED CONCRETE WHEEL STOP DETAIL
SCALE: NONE



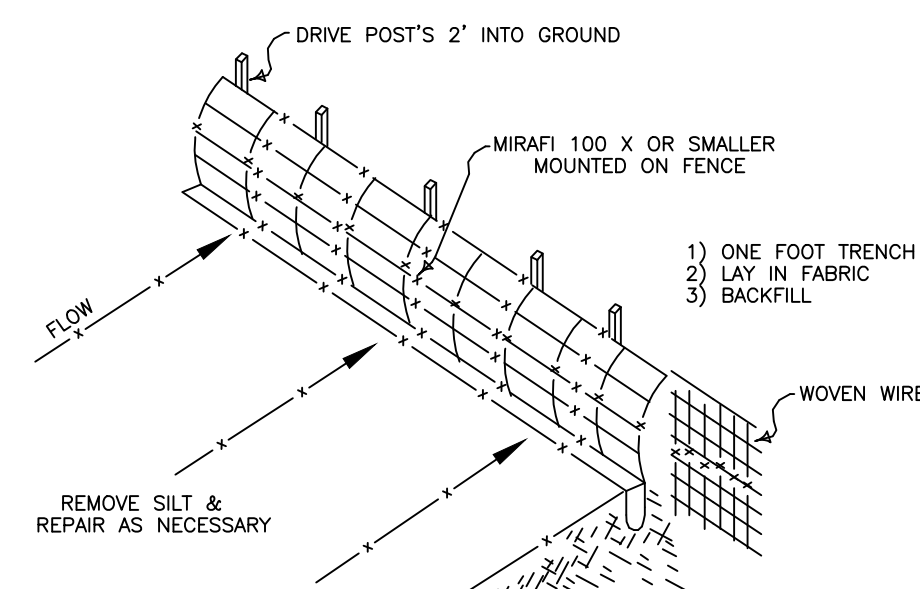
4 NEW BARRIER CURB TO EXISTING CONCRETE DETAIL
SCALE: NONE



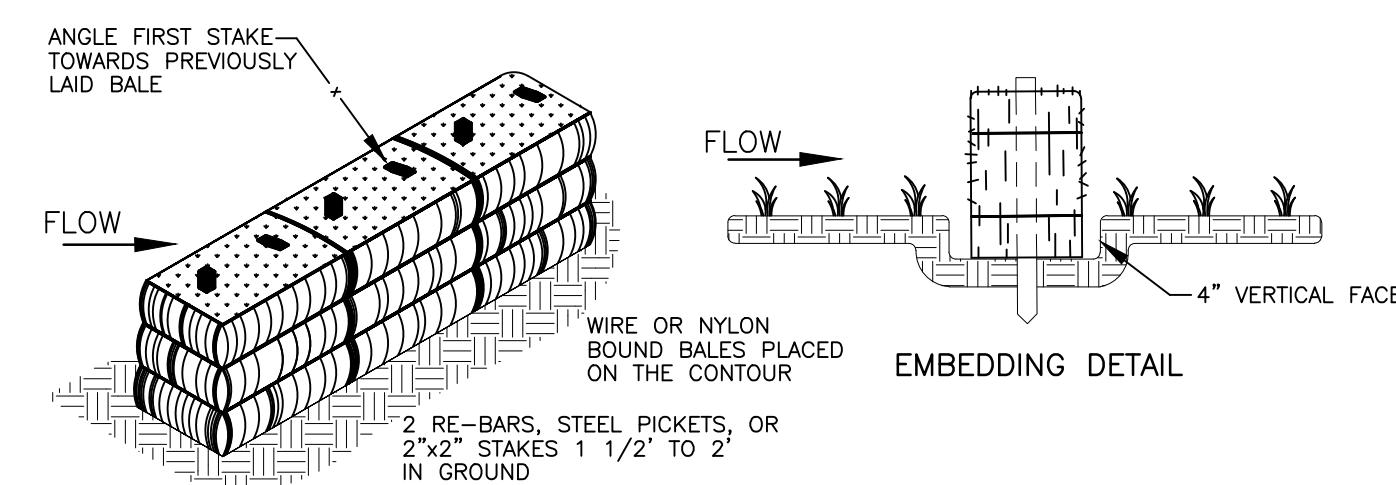
5 TYPICAL 90° PARKING LAYOUT
SCALE: NONE



Co CRUSHED STONE CONSTRUCTION EXIT



Sd1 PROVIDE SILT FENCE AS INDICATED UNTIL CONSTRUCTION IS COMPLETE



NOTE:
-ANCHOR AND EMBED INTO SOIL TO PREVENT WASHOUT OR WATER WORKING UNDER BARRIER.
-REPAIR OR REPLACEMENT MUST BE MADE PROMPTLY AS NEEDED.

Sd3 STAKED HAYBALE BARRIERS
Figure 6-13.2

SITE EROSION CONTROL DETAILS
N.T.S.